

HELEN PILLSBURY, 1875 COMMONWEALTH AVE UNIT 3, BOSTON, MA 02135

REMOVE AND REPLACE EIGHT WINDOWS

1/1 WINDOWS WITH
1/1 DOUBLE HUNG ALUMINUM CLAD WINDOWS

EXISTING LAYOUT TO REMAIN
EXTERIOR PAINTED TO MATCH EXISTING

2 WINDOWS ARE VISIBLE AND 6 WINDOWS ARE NOT
VISIBLE FROM A PUBLIC WAY

SECOND FLOOR

THE SAME ALUMINUM CLAD WINDOWS WERE
APPROVED FOR THE PROPERTY AND INSTALLED IN
2013

HELEN PILLSBURY, 1875 COMMONWEALTH AVE UNIT 3, BOSTON, MA 02135



CHESTUNT HILL AVENUE - SIDE OF BUILDING FOR REFERENCE

HELEN PILLSBURY, 1875 COMMONWEALTH AVE UNIT 3, BOSTON, MA 02135



HELEN PILLSBURY, 1875 COMMONWEALTH AVE UNIT 3, BOSTON, MA 02135



PREVIOUSLY REPLACED WINDOW

HELEN PILLSBURY, 1875 COMMONWEALTH AVE UNIT 3, BOSTON, MA 02135



HELEN PILLSBURY, 1875 COMMONWEALTH AVE UNIT 3, BOSTON, MA 02135



HELEN PILLSBURY, 1875 COMMONWEALTH AVE UNIT 3, BOSTON, MA 02135



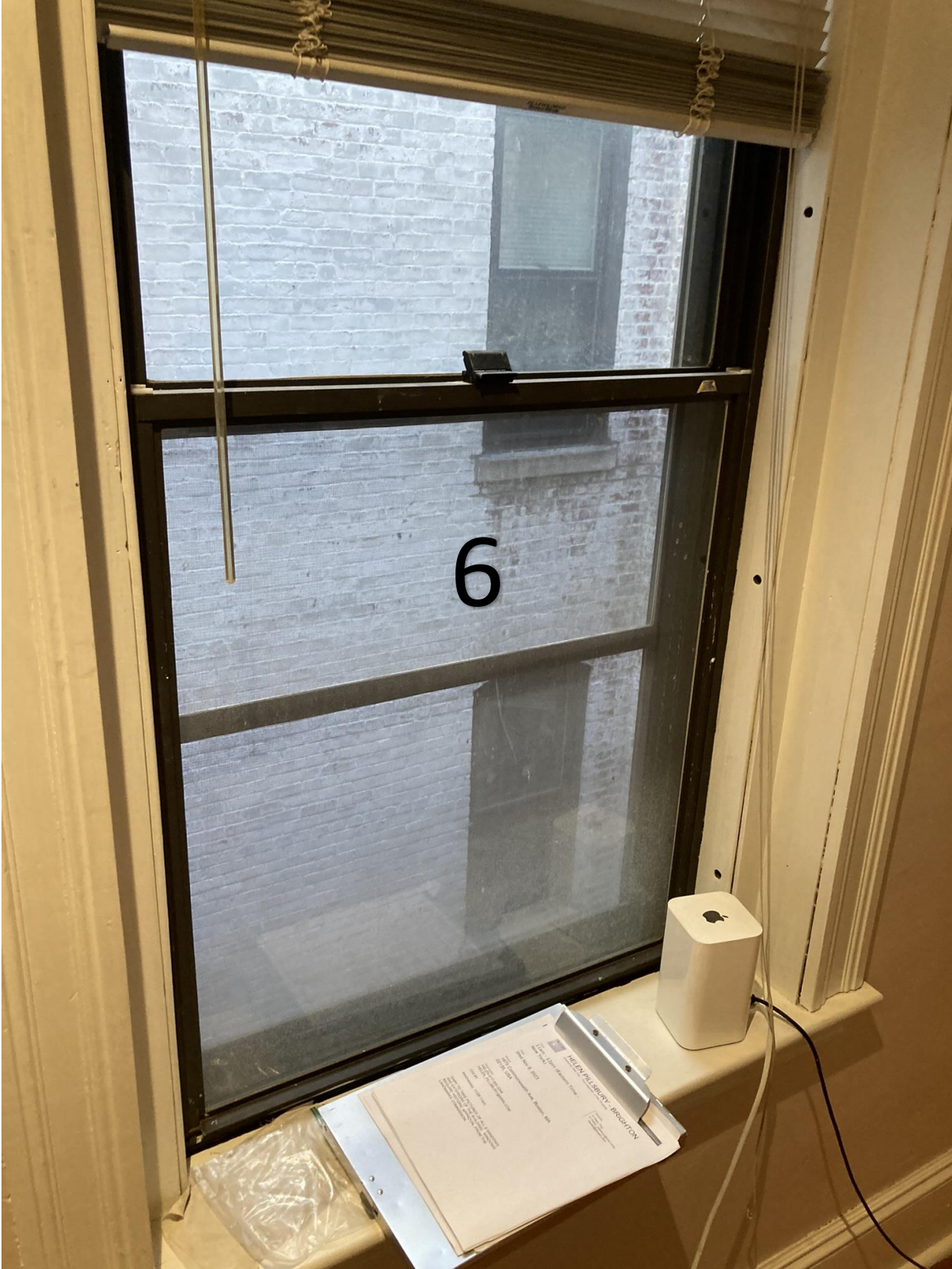
HELEN PILLSBURY, 1875 COMMONWEALTH AVE UNIT 3, BOSTON, MA 02135



HELEN PILLSBURY, 1875 COMMONWEALTH AVE UNIT 3, BOSTON, MA 02135



HELEN PILLSBURY, 1875 COMMONWEALTH AVE UNIT 3, BOSTON, MA 02135



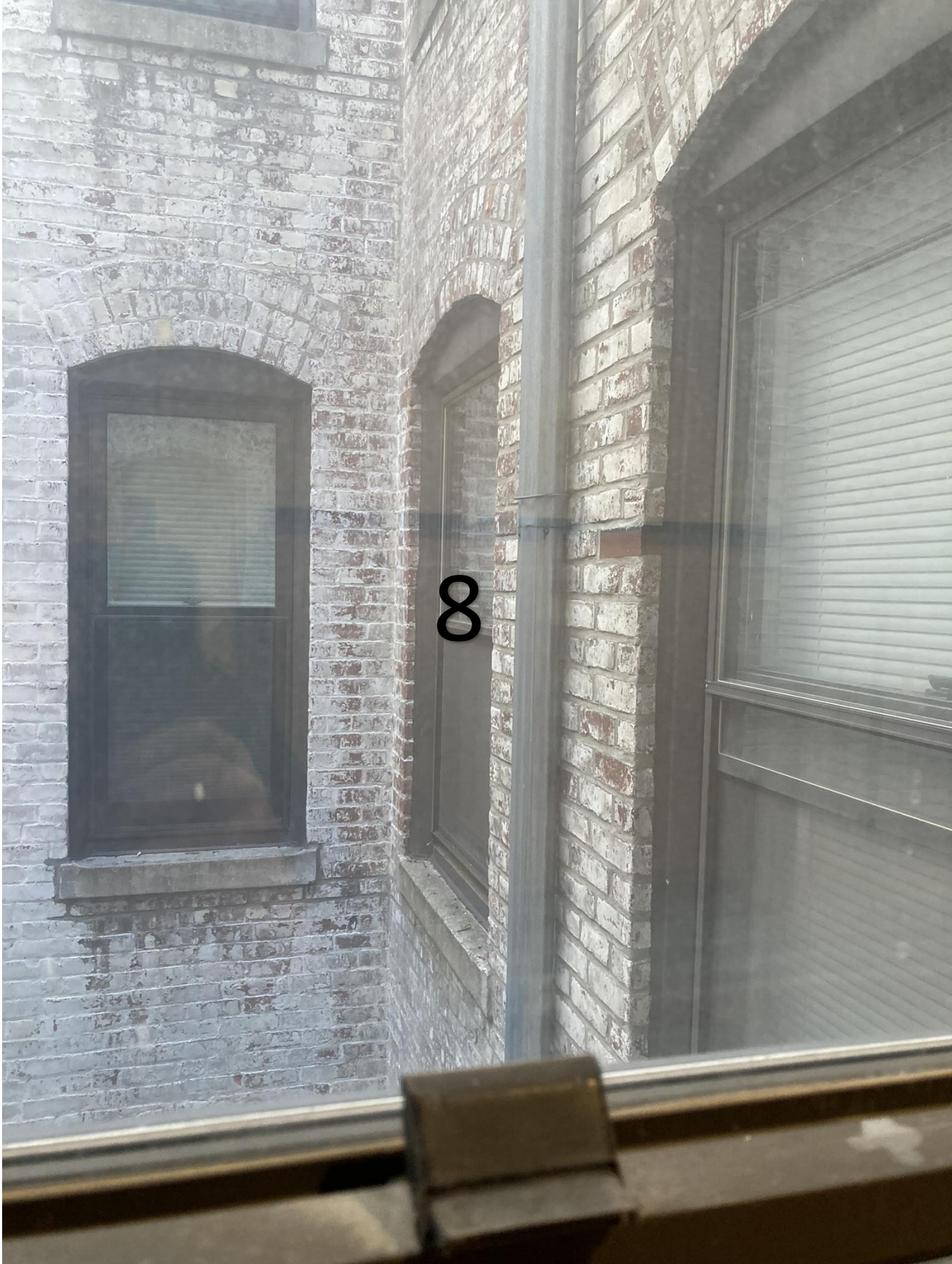
HELEN PILLSBURY, 1875 COMMONWEALTH AVE UNIT 3, BOSTON, MA 02135



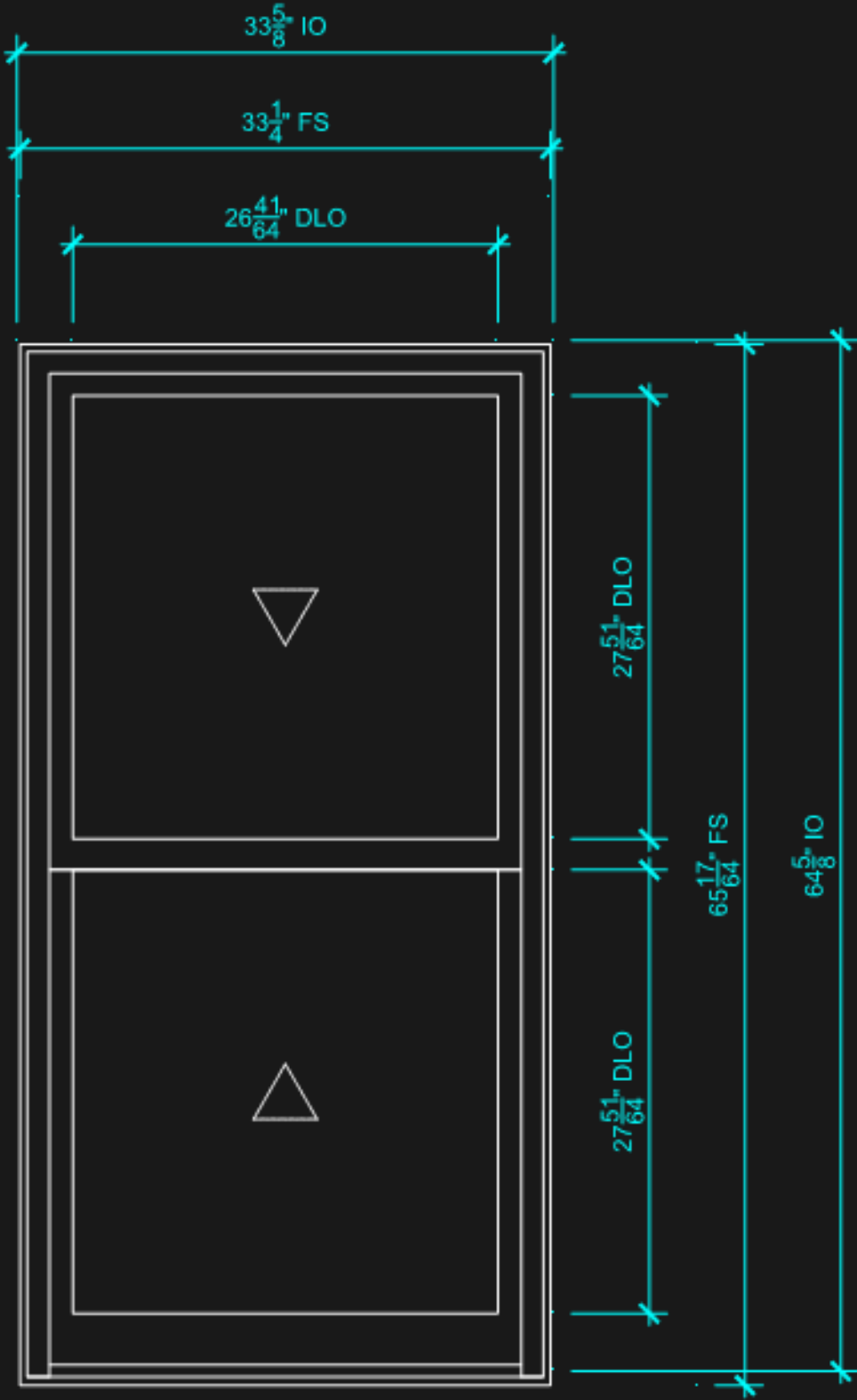
HELEN PILLSBURY, 1875 COMMONWEALTH AVE UNIT 3, BOSTON, MA 02135



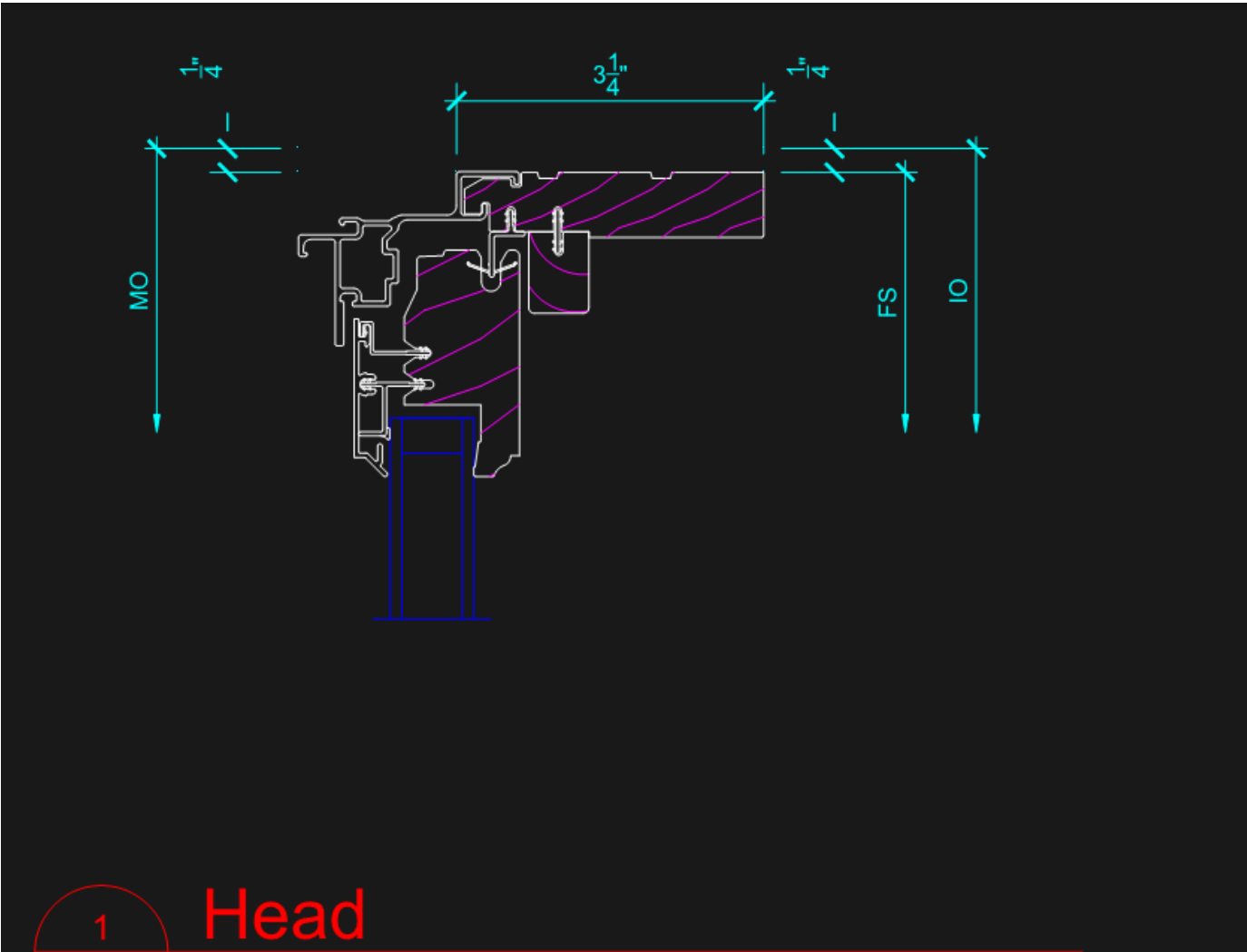
HELEN PILLSBURY, 1875 COMMONWEALTH AVE UNIT 3, BOSTON, MA 02135



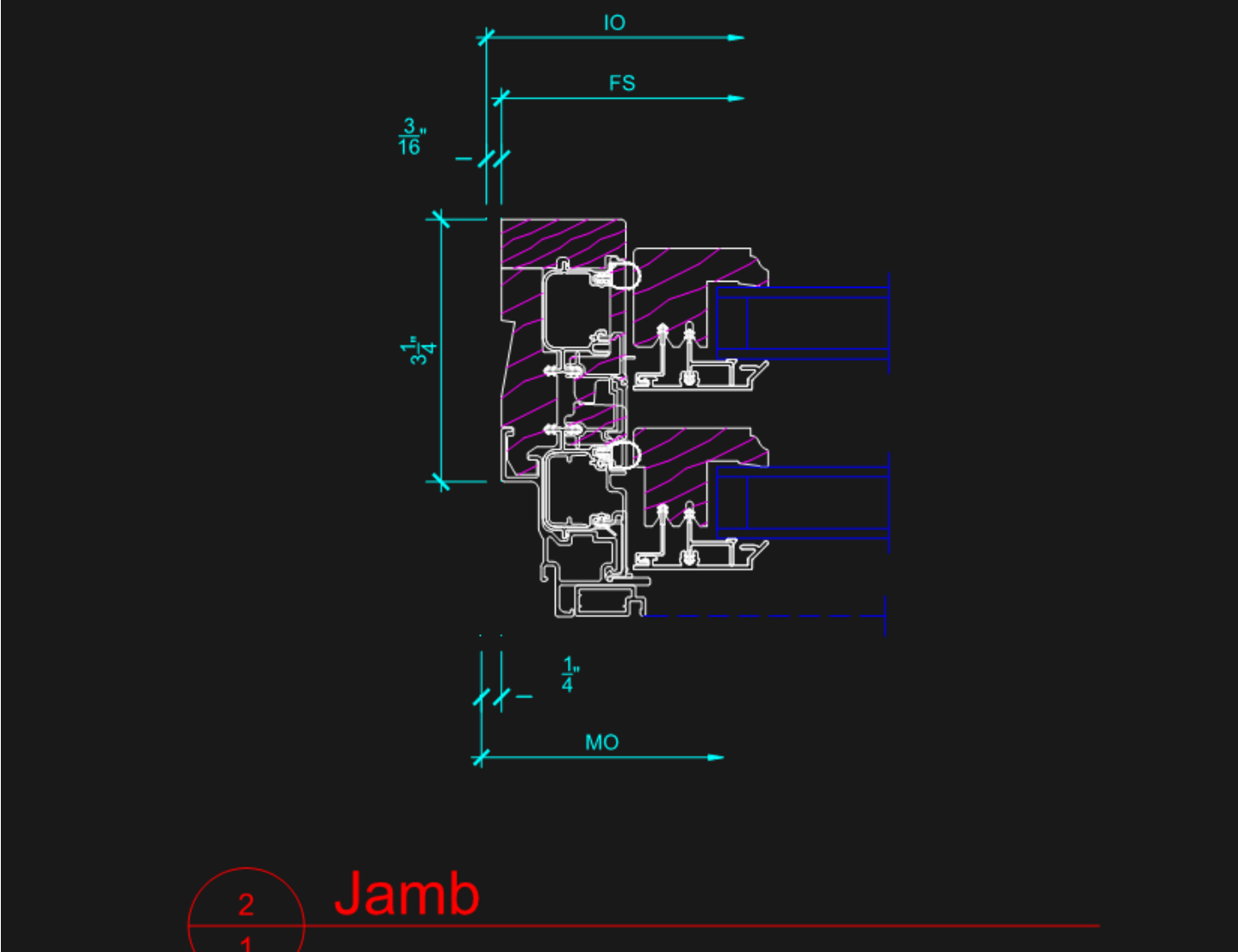
HELEN PILLSBURY, 1875 COMMONWEALTH AVE UNIT 3, BOSTON, MA 02135



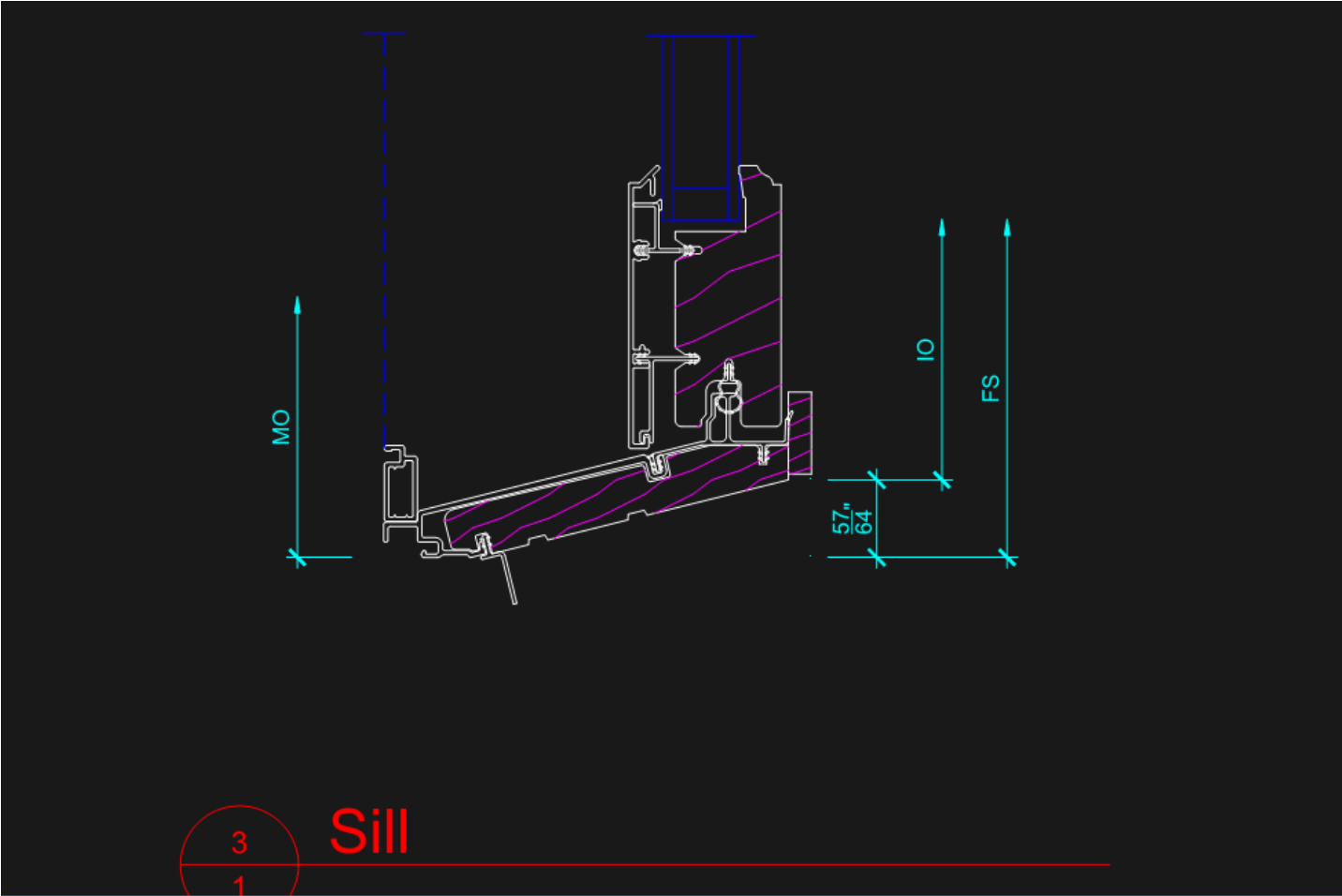
HELEN PILLSBURY, 1875 COMMONWEALTH AVE UNIT 3, BOSTON, MA 02135



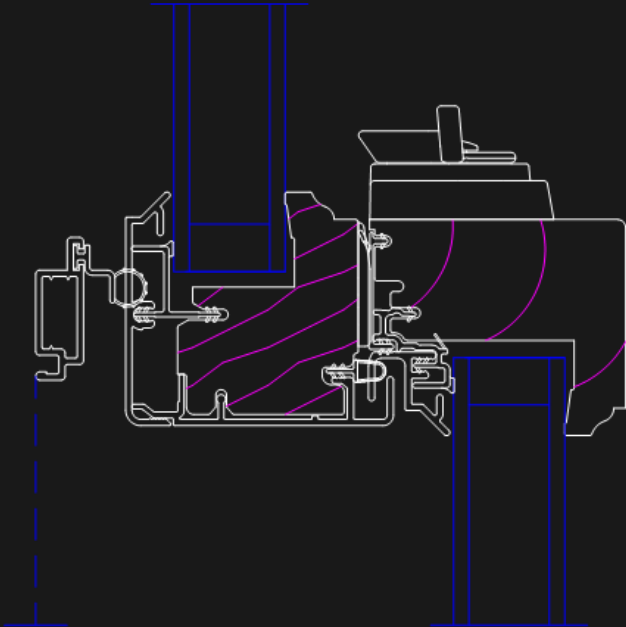
HELEN PILLSBURY, 1875 COMMONWEALTH AVE UNIT 3, BOSTON, MA 02135



HELEN PILLSBURY, 1875 COMMONWEALTH AVE UNIT 3, BOSTON, MA 02135



HELEN PILLSBURY, 1875 COMMONWEALTH AVE UNIT 3, BOSTON, MA 02135



4
1

Checkrail

